

DECOCHOC STARO

PROTECTION AND COVERING PANEL - 1.5 MM



APPLICATIONS

Decochoc Staro, the new SPM protection and covering panel, is a PVC-free solution.

With solid colour and finely textured matt surface finish, Decochoc Staro offers a wide range of applications that allows you a great deal of freedom when designing your layouts.

Resistant to chemical substances, this panel guarantees perfect cleanability.

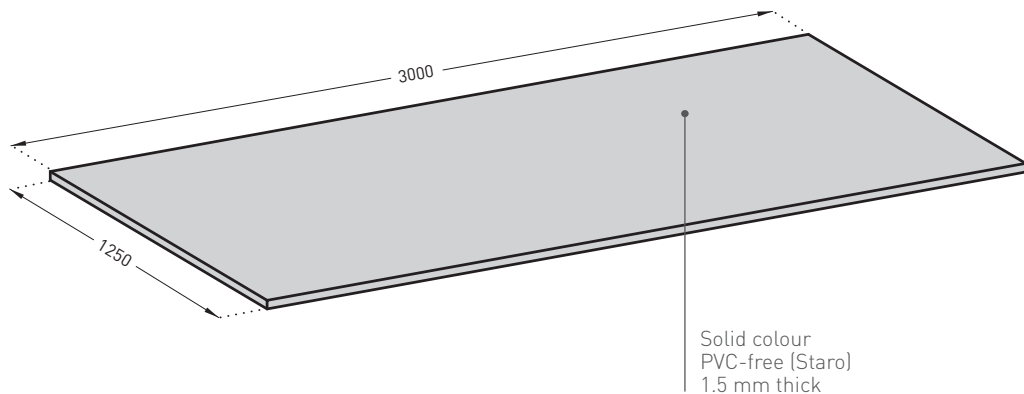
With Decochoc Staro, SPM is providing a solution designed to meet the high requirements of the healthcare and education sectors. One of the main characteristics of the product lies in its compatibility with the extremely stringent requirements of Bs1d0 reaction to fire classification.

With a long lifecycle, it respects the environment and contributes to the sustainability.

The range comprises nine modern colours.

DESCRIPTION

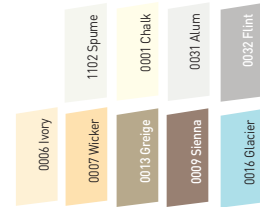
- Model: Decochoc Staro protection and covering panel
- Standard dimensions: 3 m x 1.25 m
- Custom options: cutting to size, bend into L/U, thermoforming, chamfer
- Thickness: 1.5 mm
- Material: Bs1d0 fire-rated PVC-free (Staro), solid colour
- Surface finish: slightly textured and matte ("Hydr'X" finish)
- Fixing: adhesive bonding with SPM acrylic glue or SPM multipurpose adhesive sealant. Joints between panels can be made using silicone joints, colour matched to the range
- Colours: 9



FOR AN IMPECCABLE FINISH:

- Fin'Alu: finishing and jointing profiles in satin silver anodised aluminium
- Fin'Color: finishing and jointing profiles in smooth PVC
- Silicone joints

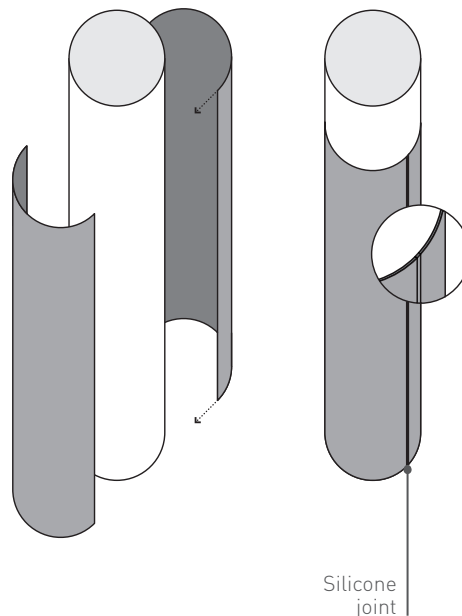
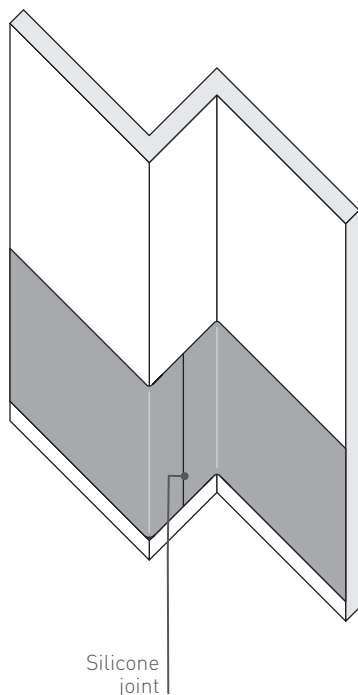
Colour coordinated with the panels



Colours available per product: please see the colour summary hinge

SPECIFICATION

- Description: protection and covering panel (Decochoc Staro as manufactured by SPM) from rigid PVC-free (Staro) achieving Bs1d0 reaction to fire classification with solid colour and slightly textured and matte surface ("Hydr'X" finish as manufactured by SPM). 3 m long, 1.25 m high, 1.5 mm thick.
- The level required for biocleaning should be validated for very high infectious risk areas such as operating theatres (*sector 4 according to the Pasteur Institute of Lille France*). The chemical and mark resistance should have been proved on the usual cleaning products according to NF EN ISO 26987, ASTM D543 and ASTM D1308.
- Environment: no heavy metals and no substance potentially subjected to any REACH restriction are used in its manufacture, nor PBT/BPA. The emission level of volatile substance in inside air has been tested according to ISO 16000-6 and is very low (A+) according to the French regulation (23 March 2011 nr 2011-321 Decree and 19 April 2011 Order). 100% of the product are recyclable.
- Colour: selected by architects from manufacturer's standard range.
- Installation method: glue as per manufacturer's instructions.



Specifications and section drawings on our website www.spm-international.com



bimobject BimObject in Revit and Archicad